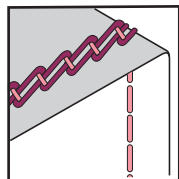


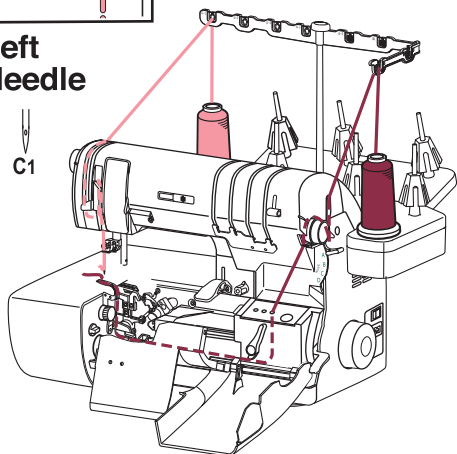
### Chain Stitch-Left / Center / Right Needle



Length	Width	Stitch Selector	Wave Selector	Chain Needle Tension	Chain Looper Tension	Upper Looper Selector	Blade Position	Sewing Table	Subsidiary Looper
2.0-4.0	—	—	—	4-6	CHAIN	<b>down</b> up	LOCK		—

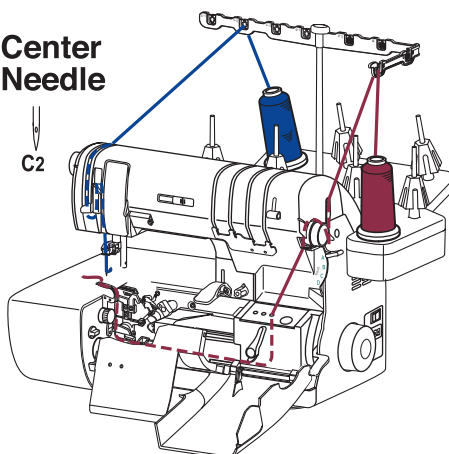
#### Left Needle

C1



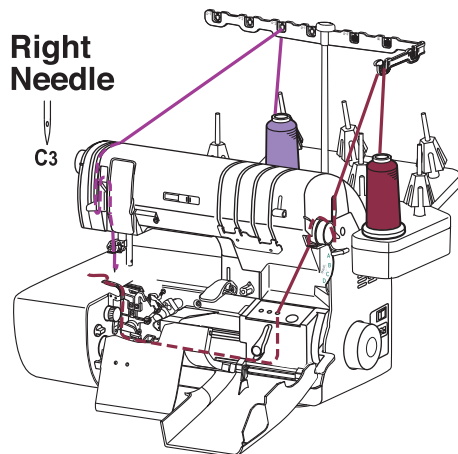
#### Center Needle

C2



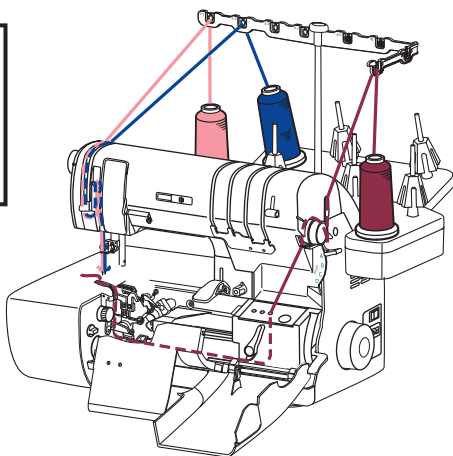
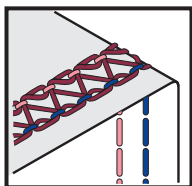
#### Right Needle

C3



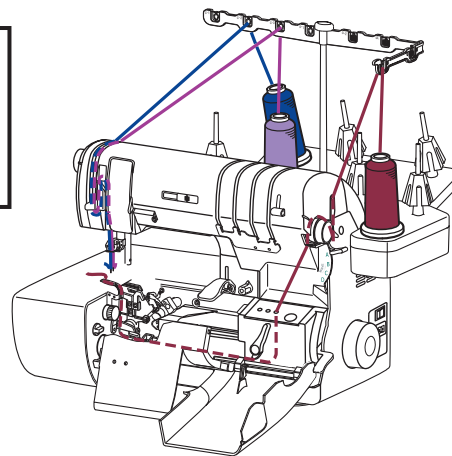
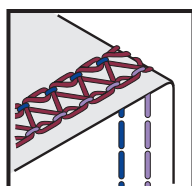
### Cover Stitch-Left Narrow

C1	C2	C3	O1	O2	Length	Width	Stitch Selector	Wave Selector	Chain Needle Tension	Chain Looper Tension
↓	↓	↓	↓	↓	2.0-4.0	—	—	—	4-6	COVER
Upper Looper Selector		Blade Position		Sewing Table		Subsidiary Looper				
<b>down</b> up		LOCK				—				



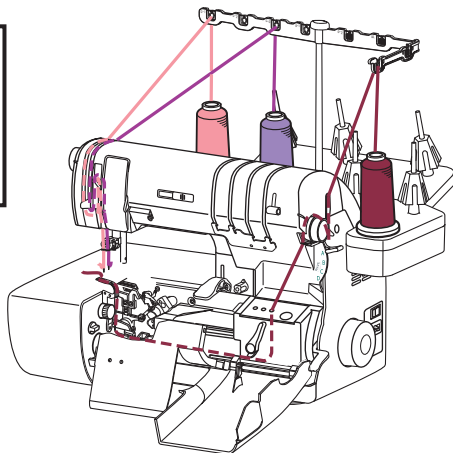
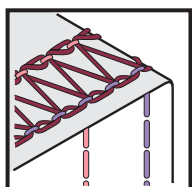
### Cover Stitch-Right Narrow

C1	C2	C3	O1	O2	Length	Width	Stitch Selector	Wave Selector	Chain Needle Tension	Chain Looper Tension
↓	↓	↓	↓	↓	2.0-4.0	—	—	—	4-6	COVER
Upper Looper Selector		Blade Position		Sewing Table		Subsidiary Looper				
<b>down</b> up		LOCK				—				



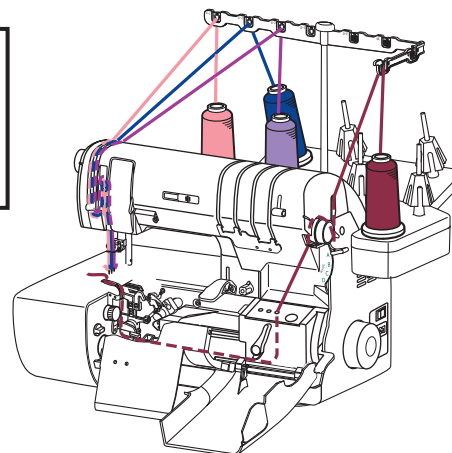
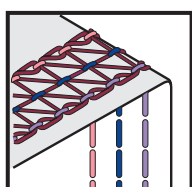
### Cover Stitch-Wide

C1	C2	C3	O1	O2	Length	Width	Stitch Selector	Wave Selector	Chain Needle Tension	Chain Looper Tension
↓	↓	↓	↓	↓	2.0-4.0	—	—	—	4-6	COVER
Upper Looper Selector		Blade Position		Sewing Table		Subsidiary Looper				
<b>down</b> up		LOCK				—				



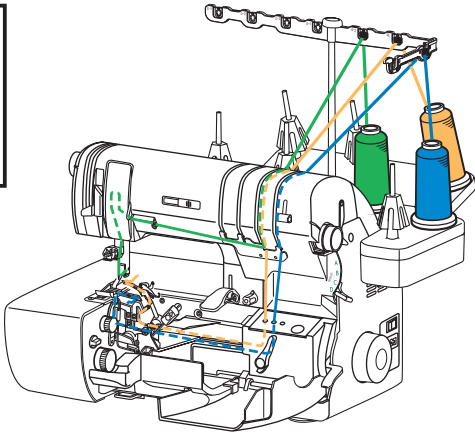
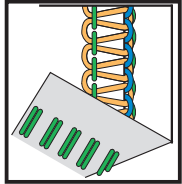
### Triple Cover Stitch

C1	C2	C3	O1	O2	Length	Width	Stitch Selector	Wave Selector	Chain Needle Tension	Chain Looper Tension
↓	↓	↓	↓	↓	2.0-4.0	—	—	—	4-6	COVER
Upper Looper Selector		Blade Position		Sewing Table		Subsidiary Looper				
<b>down</b> up		LOCK				—				



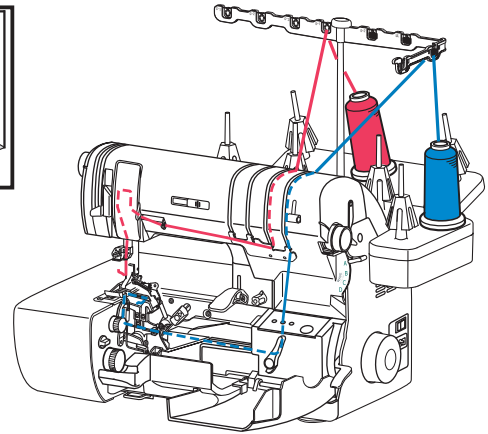
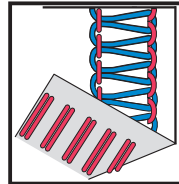
### 3-Thread Flatlock-Narrow

C1	C2	C3	O1	O2	Length	Width	Stitch Selector	Wave Selector	Chain Needle Tension	Chain Looper Tension
					2-4	3.0-3.5	D	OVERLOCK	—	—
Upper Looper Selector down		Blade Position		Knife Cover		Subsidiary Looper				
up		LOCK								



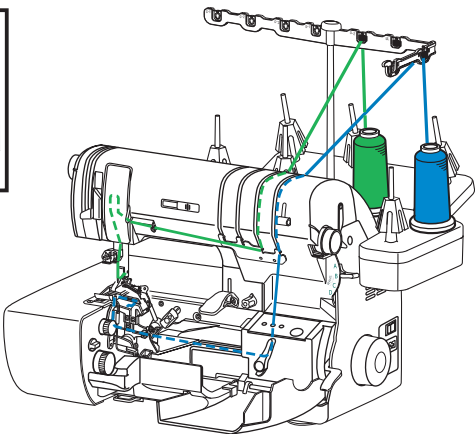
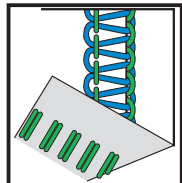
### 2-Thread Flatlock-Wide

C1	C2	C3	O1	O2	Length	Width	Stitch Selector	Wave Selector	Chain Needle Tension	Chain Looper Tension
					2-4	7.5	A	OVERLOCK	—	—
Upper Looper Selector down		Blade Position		Knife Cover		Subsidiary Looper				
up		LOCK								



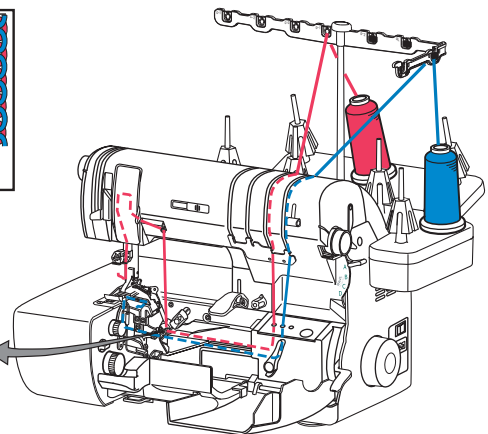
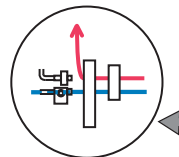
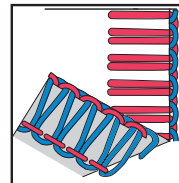
### 2-Thread Flatlock-Narrow

C1	C2	C3	O1	O2	Length	Width	Stitch Selector	Wave Selector	Chain Needle Tension	Chain Looper Tension
					2-4	3.5	B	OVERLOCK	—	—
Upper Looper Selector down		Blade Position		Knife Cover		Subsidiary Looper				
up		up								



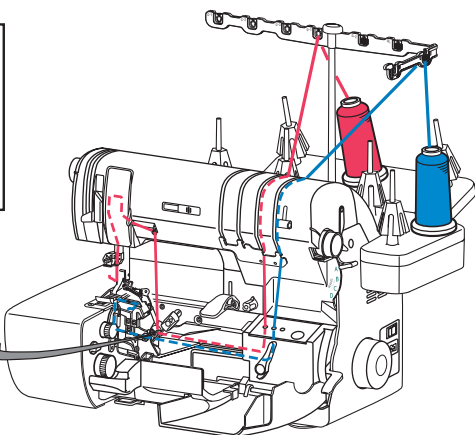
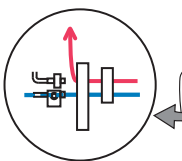
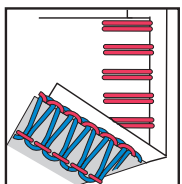
### 2-Thread Blanket Stitch

Size 90 Top Stitch Needle	C1	C2	C3	O1	O2	Length	Width	Stitch Selector	Wave Selector	Chain Needle Tension	Chain Looper Tension
						3-4	7.5	A	OVERLOCK	—	—
Upper Looper Selector down		Blade Position		Knife Cover		Subsidiary Looper					
up		up									



### 2-Thread Ladder Stitch

Size 90 Top Stitch Needle	C1	C2	C3	O1	O2	Length	Width	Stitch Selector	Wave Selector	Chain Needle Tension	Chain Looper Tension
						3-4	7.5	A	OVERLOCK	—	—
Upper Looper Selector down		Blade Position		Knife Cover		Subsidiary Looper					
up		up									

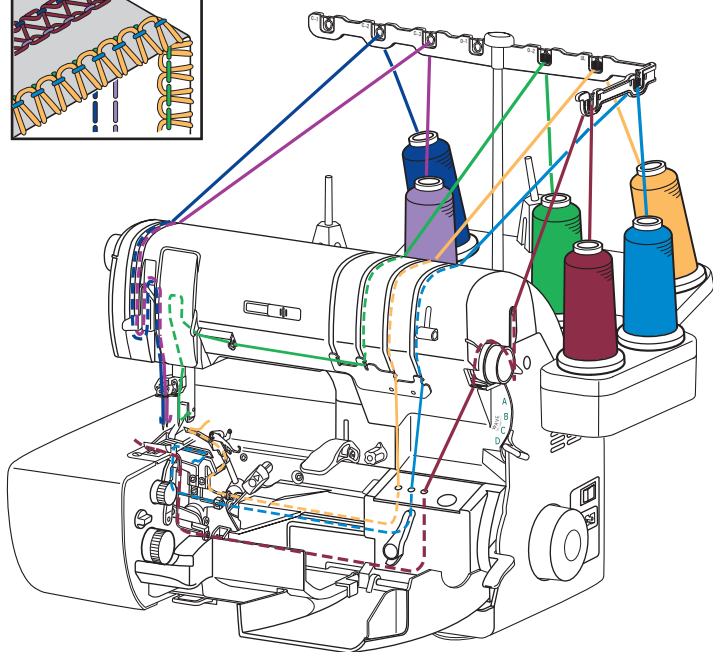
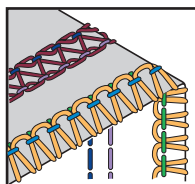


## COMBINATION

### 6-Thread

Cover Narrow Right + 3-Thread Rolled Edge

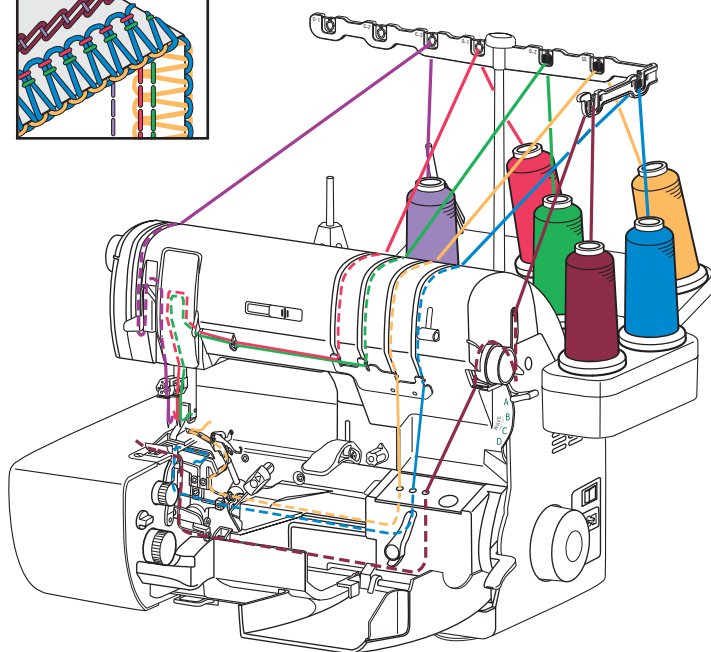
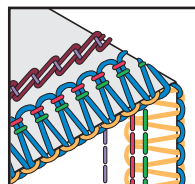
					Length 2R	Width 3.5	Stitch Selector D	Wave Selector OVERLOCK	Chain Needle Tension 4-6	Chain Looper Tension COVER
Upper Looper Selector down		Blade Position up		Knife Cover		Subsidiary Looper				



### 6-Thread

Chain Stitch + 4-Thread Overlock

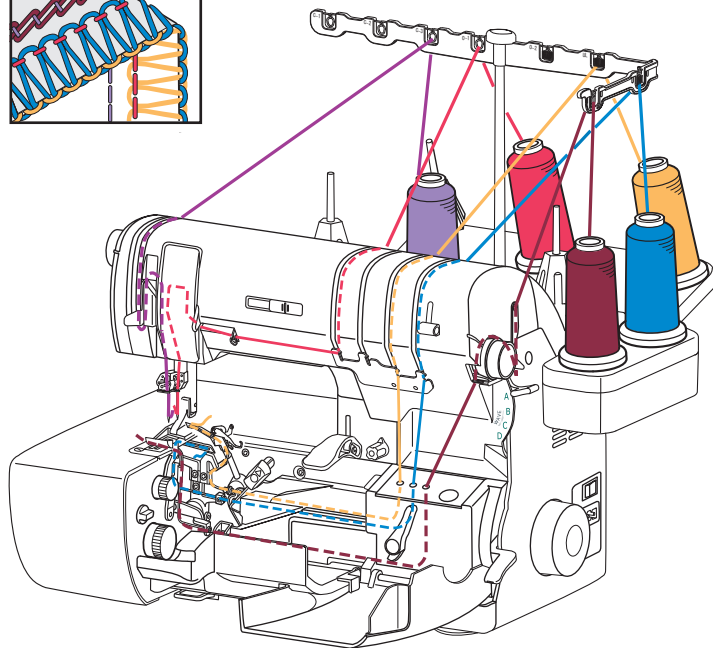
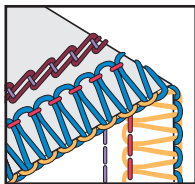
					Length 2.5-4.0	Width 7.5	Stitch Selector A	Wave Selector OVERLOCK	Chain Needle Tension 4-6	Chain Looper Tension CHAIN
Upper Looper Selector down		Blade Position up		Knife Cover		Subsidiary Looper				



### 5-Thread Safety Stitch

Chain Stitch + 3-Thread Overlock Wide

					Length 2.5-4.0	Width 7.5	Stitch Selector A	Wave Selector OVERLOCK	Chain Needle Tension 4-6	Chain Looper Tension CHAIN
Upper Looper Selector down		Blade Position up		Knife Cover		Subsidiary Looper				



### 4-Thread Safety Stitch

Chain Stitch + 2-Thread Overlock Wide

					Length 2.5-4.0	Width 7.5	Stitch Selector A	Wave Selector OVERLOCK	Chain Needle Tension 4-6	Chain Looper Tension CHAIN
Upper Looper Selector down		Blade Position up		Knife Cover		Subsidiary Looper				

